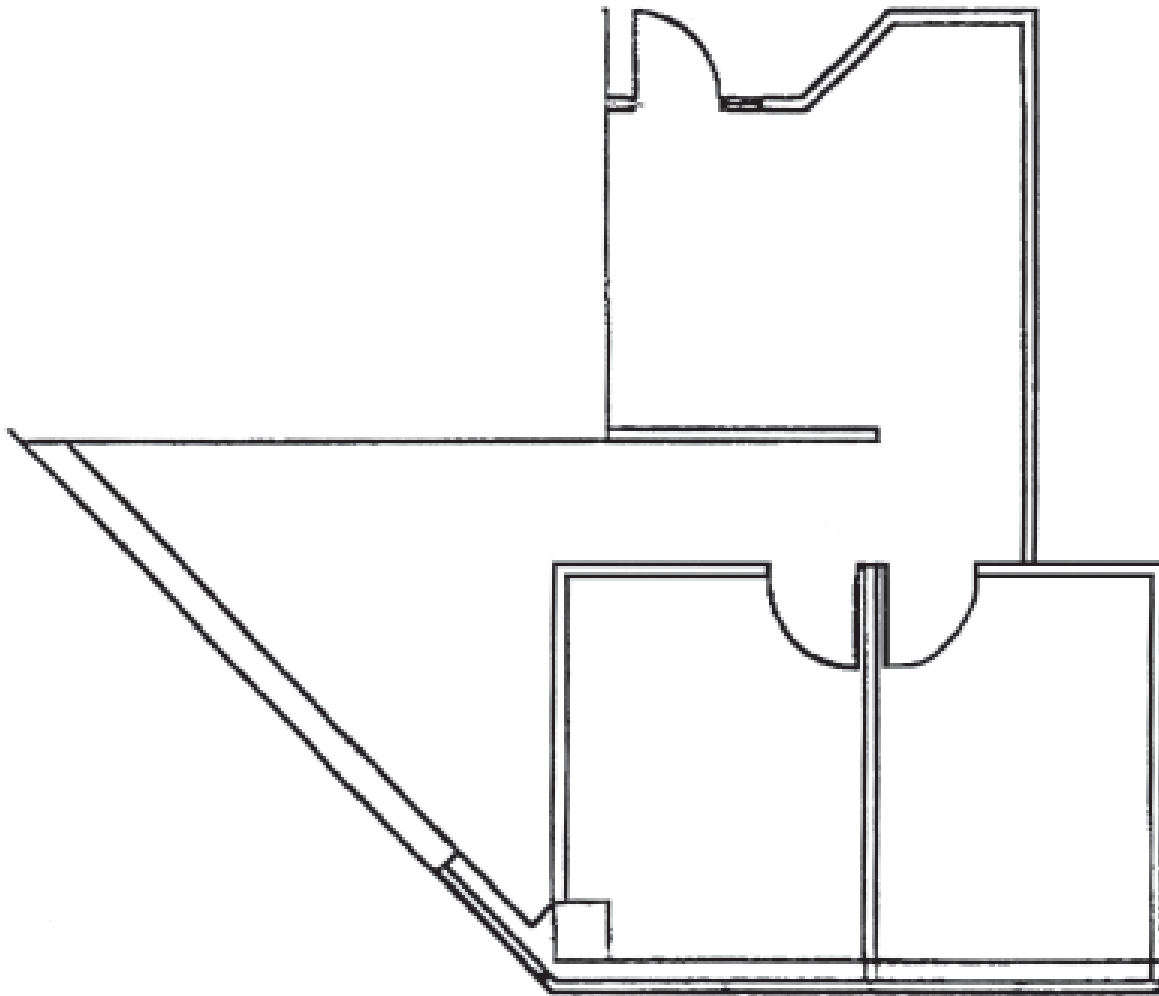


5300

DTC PARKWAY

GREENWOOD VILLAGE, CO 80111

SUITE 350 - 820 RSF



© 2026 CBRE, Inc. This information has been obtained from sources believed reliable. We have not verified it and make no guarantee, warranty or representation about it. Any projections, opinions, assumptions or estimates used are for example only and do not represent the current or future performance of the property. You and your advisors should conduct a careful, independent investigation of the property to determine to your satisfaction the suitability of the property for your needs. Photos herein are the property of their respective owners and use of these images without the express written content of the owner is prohibited.

Please Contact:

John Marold

720.528.6355

john.marold@cbre.com

CBRE